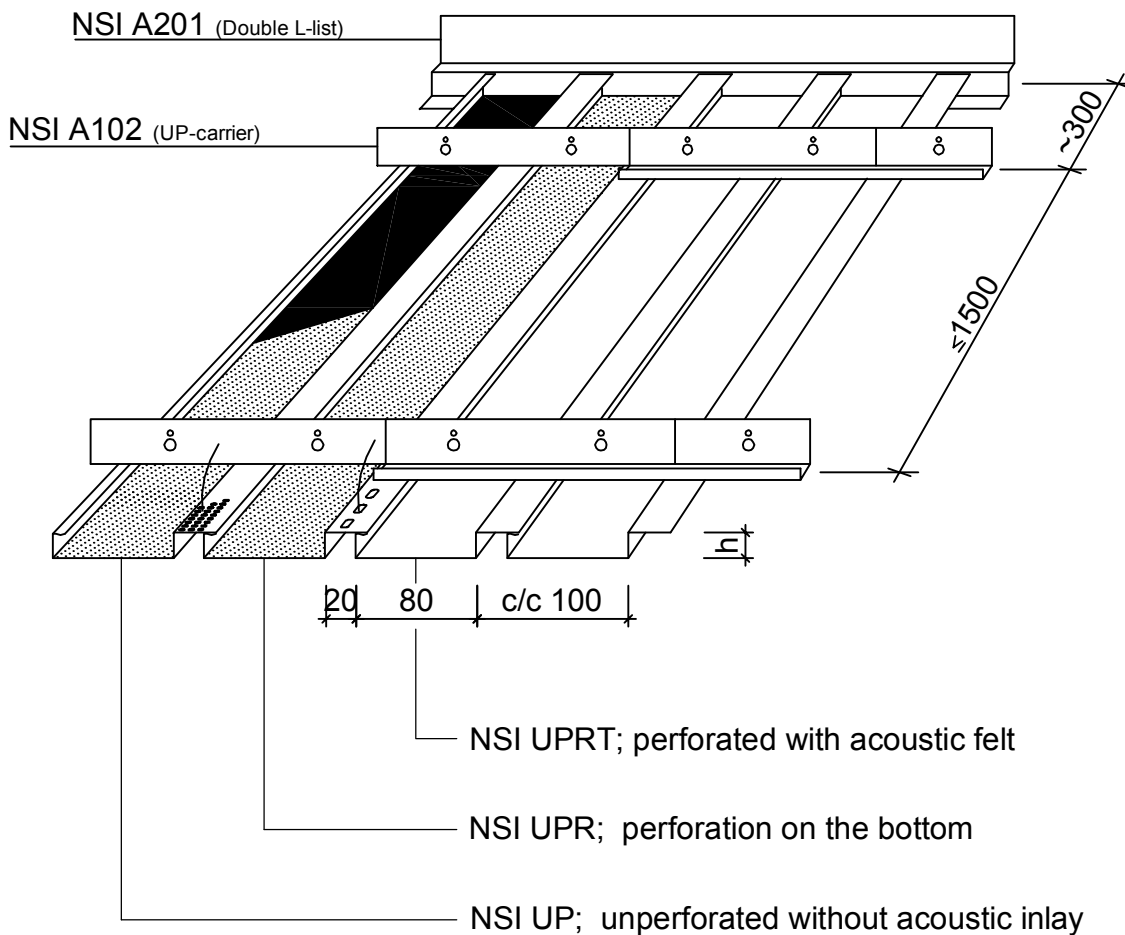


Date	30.3.06	Rev.	Project no.	Dwg-no.
Drawn by		Rev.date		NSI UP-100
Scale		Project		Filename NSI UP100.dwg

MATERIAL OPTIONS:
 NORDIC STANDARD
 NORDIC BROWN
 NORDIC GREEN
 NORDIC ROYAL



VENTILATION HOLES ACCORDING TO ORDER

Ø 3.5 mm c/c 6.3 mm = 4616 mm /rm
 5 x 7 mm c/c 13.0 mm = 2279 mm /rm

STANDARD UP-100 -PROFILE

SPECIAL PR-A -PROFILE

	STANDARD UP-100 -PROFILE	SPECIAL PR-A -PROFILE
Material	Cu-DHP 0,50 mm	Cu-DHP 0,50 mm
Width b	100 mm	100 mm
Height h	15 mm	15 mm
Length l	1250-6500 mm	<1250 mm
Perforation	Ø 2.0 mm	Ø 3.5 mm
Inlay	acoustic felt	wool in plastic



Subject

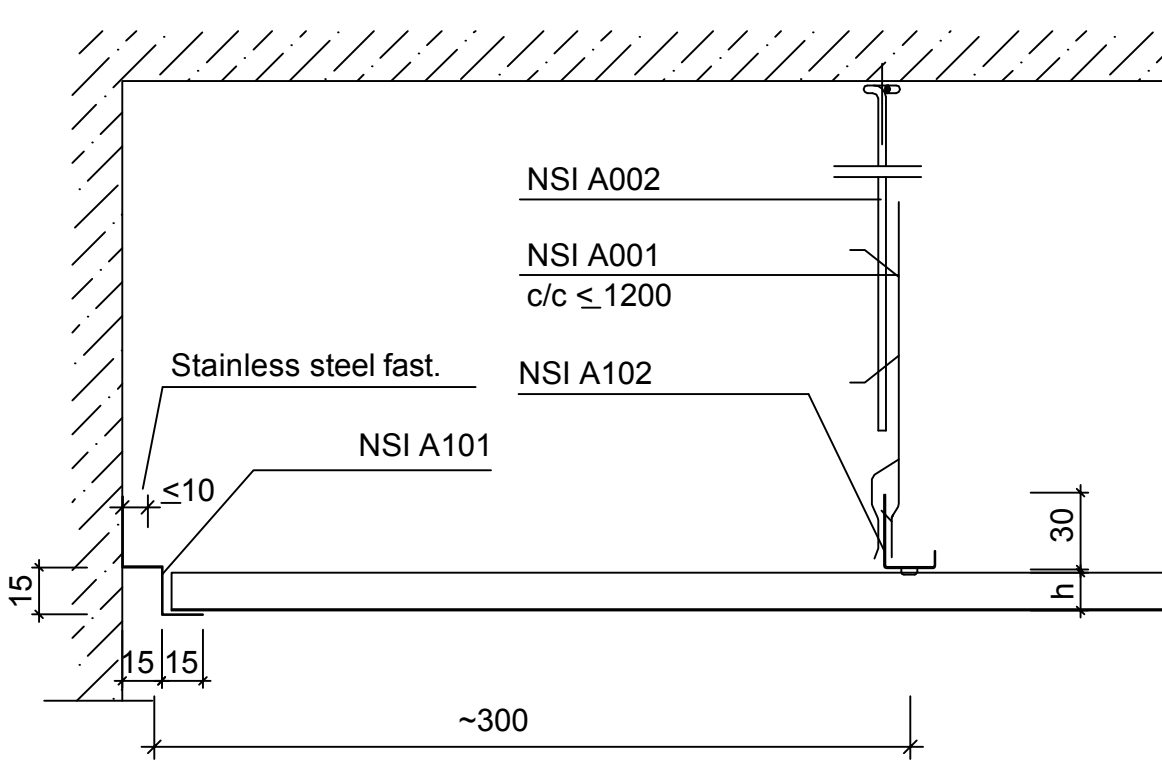
NSI CEILING

NSI UP-100

CONSTRUCTION DETAIL

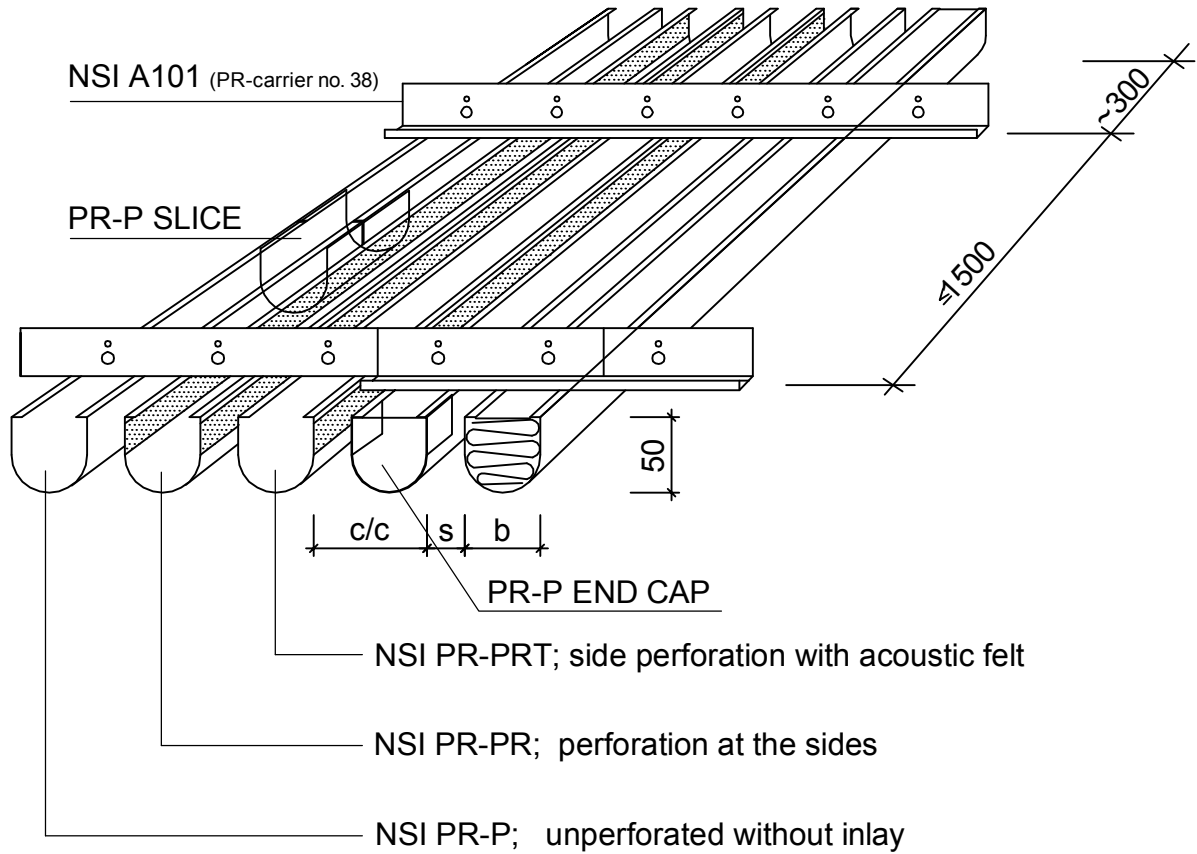
Date	30.3.06	Rev.		Project no.		Dwg-no.	
Drawn by		Rev.date				NSI UP-100 01	
Scale	1:3	Project				Filename	NSI UP100.dwg

LONGITUDINAL SECTION



Date 30.3.06	Rev.	Project no.	Dwg-no.
Drawn by	Rev.date		NSI PR-P
Scale	Project		Filename NSI PRP.dwg

MATERIAL OPTIONS:
 NORDIC STANDARD
 NORDIC BROWN
 NORDIC GREEN
 NORDIC ROYAL



STANDARD PR-P -PROFILE

SPECIAL PR-P -PROFILE

	STANDARD PR-P -PROFILE	SPECIAL PR-P -PROFILE
Material	Cu-DHP 0,50 mm	Cu-DHP 0,50 mm
Width b	50 mm	50 mm
Height h	50 mm	50 mm
Length l	1250-6500 mm	<1250 mm
Air gap s	standard 20 mm	according to order, min. 10 mm
Perforation	Ø 2.0 mm at the sides	Ø 2.0 mm at the entire surface Ø 3.5 mm at the entire surface
Inlay	acoustic felt	wool in plastic



Subject

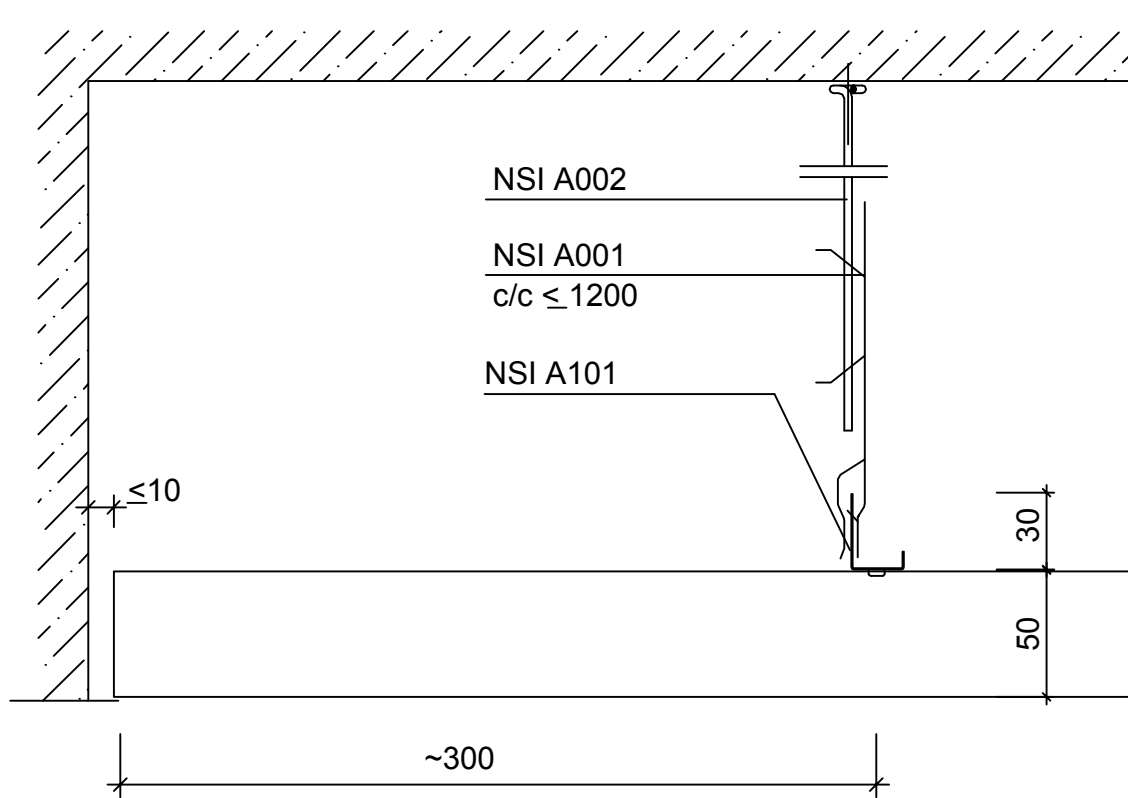
NSI CEILING

NSI PR-P

CONSTRUCTION DETAIL

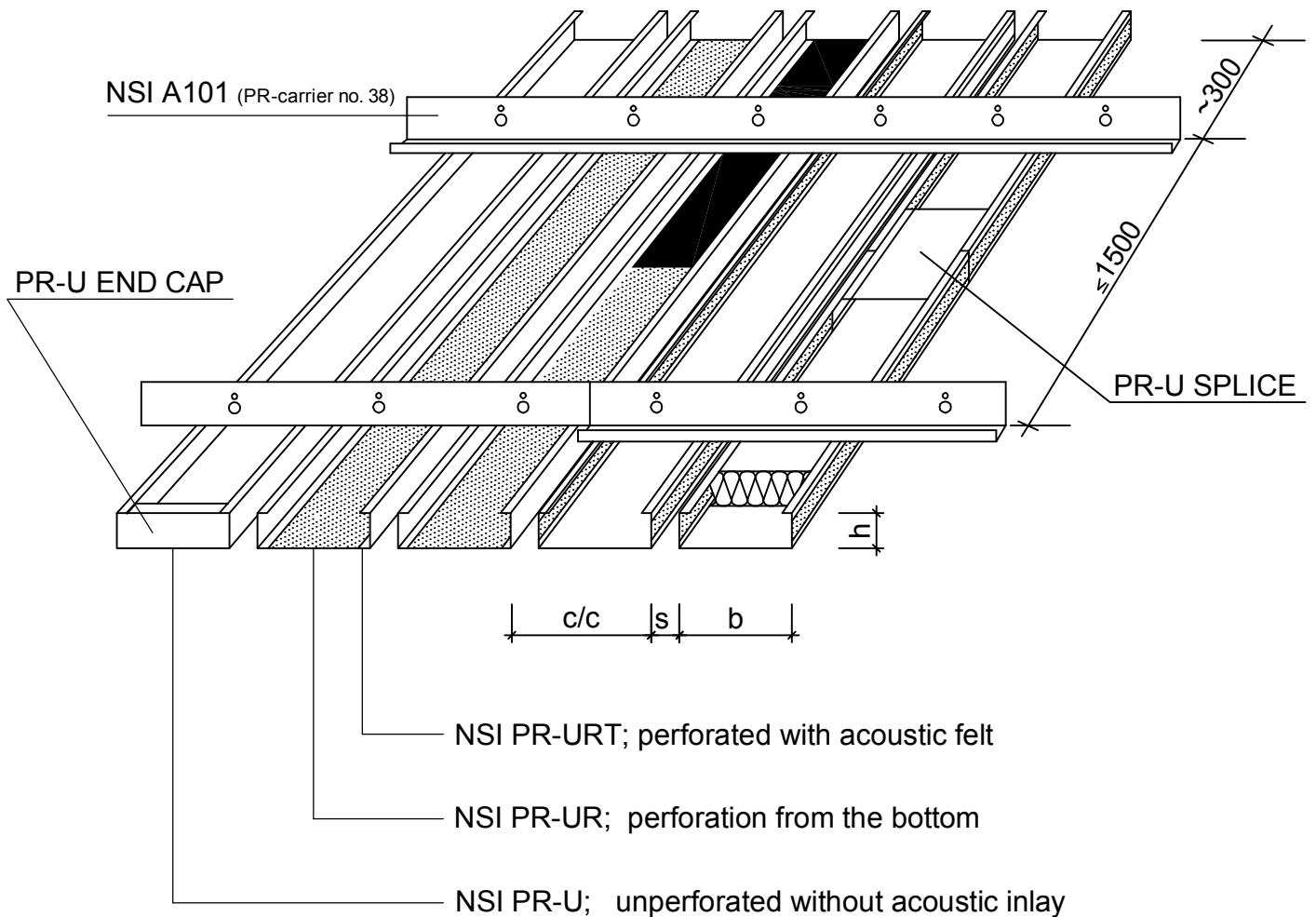
Date	30.3.06	Rev.	Project no.	Dwg-no.
Drawn by		Rev.date		NSI PRP 01
Scale	1:3	Project		Filename NSI PRP.dwg

LONGITUDINAL SECTION



Date	30.3.06	Rev.	Project no.	Dwg-no.
Drawn by		Rev.date		NSI PR-U
Scale		Project		Filename NSI PRU.dwg

MATERIAL OPTIONS:
 NORDIC STANDARD
 NORDIC BROWN
 NORDIC GREEN
 NORDIC ROYAL



STANDARD PR-U -PROFILE

SPECIAL PR-U -PROFILE

	STANDARD PR-U -PROFILE	SPECIAL PR-U -PROFILE	
Material	Cu-DHP 0,50 mm	Cu-DHP 0,50 mm	
Width b	80 mm	30 mm	30 mm
Height h	25 mm	50 mm	30 mm
Length l	1250-6500 mm	1250-6000 mm, also <1250 mm	
Air gap s	standard 20 mm	according to order, min. 10 mm	
Perforation	Ø 2.0 mm at the bottom	Ø 2.0 mm at the sides Ø 3.5 mm at the bottom or sides	
Inlay	acoustic felt	wool in plastic	



Subject

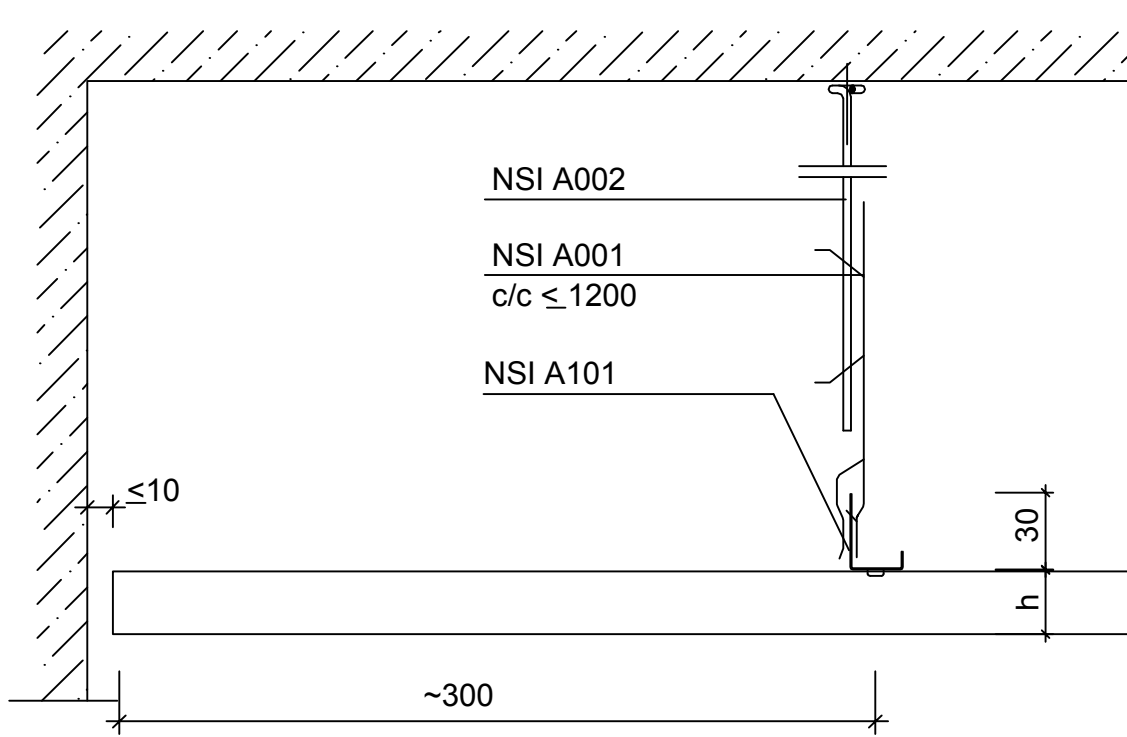
NSI CEILING

NSI PR-U

CONSTRUCTION DETAIL

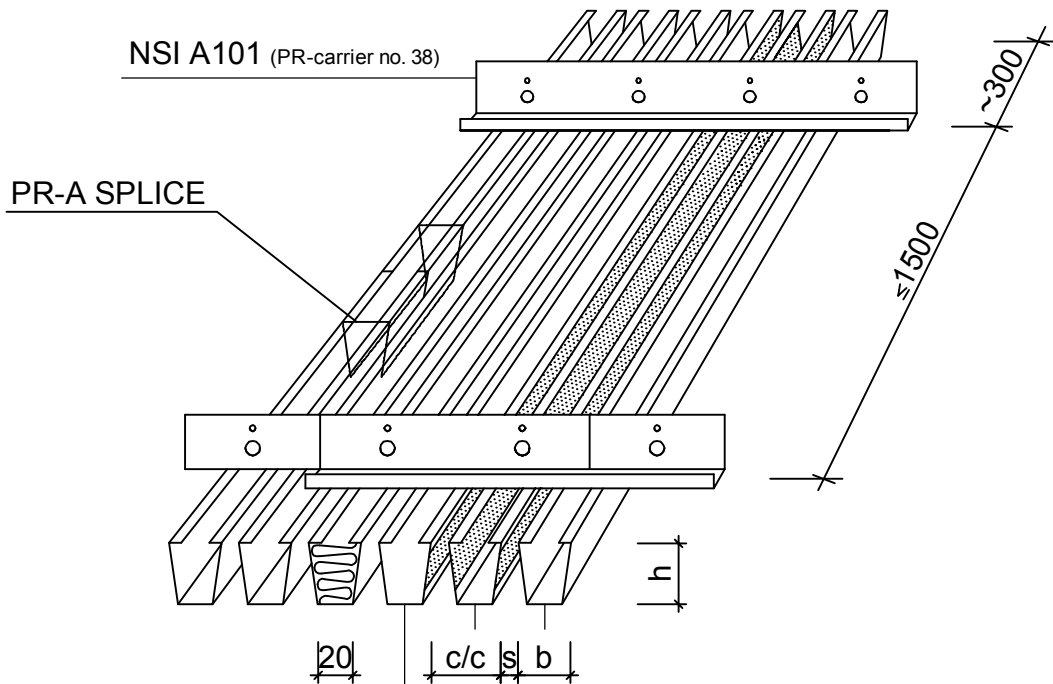
Date	30.3.06	Rev.		Project no.		Dwg-no.	
Drawn by		Rev.date				NSI PRU 01	
Scale	1:3	Project				Filename	NSI PRU.dwg

LONGITUDINAL SECTION



Date 30.3.06	Rev.	Project no.	Dwg-no.
Drawn by	Rev.date		NSI PR-A
Scale	Project		Filename NSI PRA.dwg

MATERIAL OPTIONS:
 NORDIC STANDARD
 NORDIC BROWN
 NORDIC GREEN
 NORDIC ROYAL



NSI PR-ART; perforated with acoustic felt

NSI PR-AR; perforation from the bottom

NSI PR-A; unperforated without acoustic inlay

STANDARD PR-A -PROFILE

SPECIAL PR-A -PROFILE

	STANDARD PR-A -PROFILE	SPECIAL PR-A -PROFILE
Material	Cu-DHP 0,50 mm	Cu-DHP 0,50 mm
Width b	30 mm	30 mm
Height h	35 mm	35 mm
Length l	1250-6500 mm	<1250 mm
Air gap s	standard 20 mm	according to order, min. 10 mm
Perforation	Ø 2.0 mm at the sides	Ø 3.5 mm at the bottom or sides
Inlay	acoustic felt	wool in plastic

LUVATA

Subject

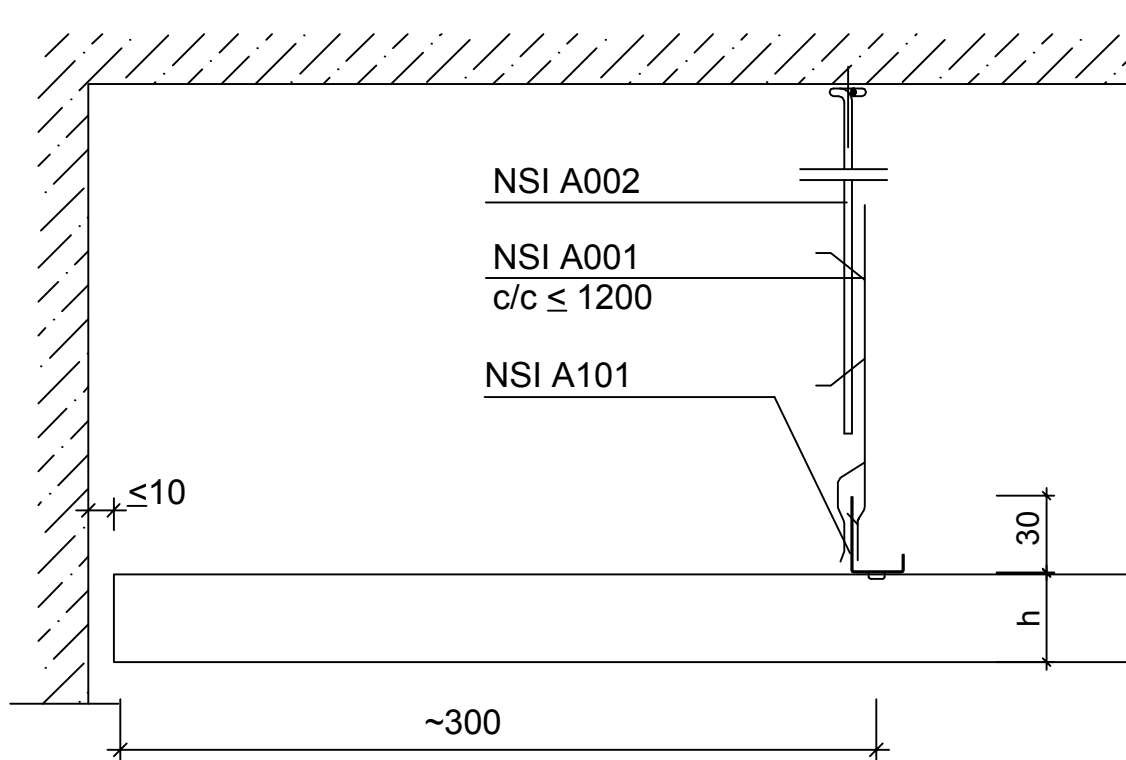
NSI CEILING

NSI PR-A

CONSTRUCTION DETAIL

Date 30.3.06	Rev.	Project no.	Dwg-no. NSI PRA 01
Drawn by	Rev.date		
Scale 1:3	Project	Filename NSI PRA.dwg	

LONGITUDINAL SECTION





Subject

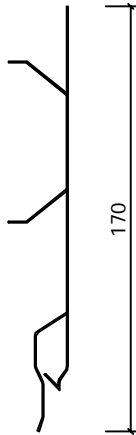
NSI ACCESSORIES

NSI CEILING

Date	Rev.	Project no.	Dwg-no. NSI ACC
Drawn by	Rev.date		
Scale	Project	Filename NSI ACC.dwg	

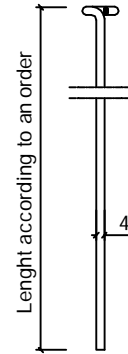
NSI A001

Butterfly for carriers



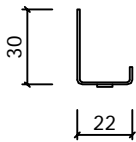
NSI A002

Hanger strap



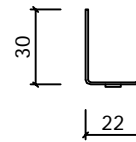
NSI A101

PR carrier no.38
Thickness: 1,0 mm



NSI A102

UP carrier no.40 with locking clip
Thickness: 1,0 mm



NSI A201

Double L-list no. 30
Thickness: 0,5 mm

